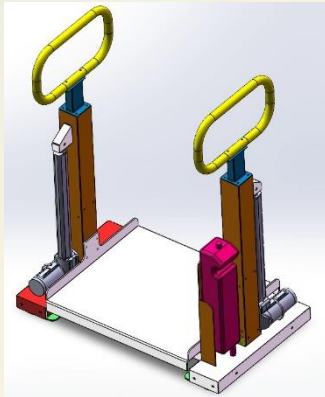


## Standing Step-Through (SST) Patient Lift



Note: Engineering depiction of the finished SST. Colors are for component clarification only and not part of the finished product.

***The SST is designed to safely raise and lower standing patients, up to 500lbs. (227kg), from the floor up to 14”(36cm) for transfers to radiology-imaging-treatment tables, legacy high beds and other raised-patient access as required for patients with mobility challenges.***

***This purpose-built tool provides lift and transfer functions for mobility challenged patients! The SST eliminates the safety risks and the potential for patient or provider injuries related to raising patients for treatment..***

***The SST provides a safe and comfortable way to raise and lower patients for routine imaging and procedures in Radiology, Nuclear Medicine, Bone Density and Radiation Oncology departments. Legacy facilities, with high beds along with any unit that requires treatment/procedure tables.***

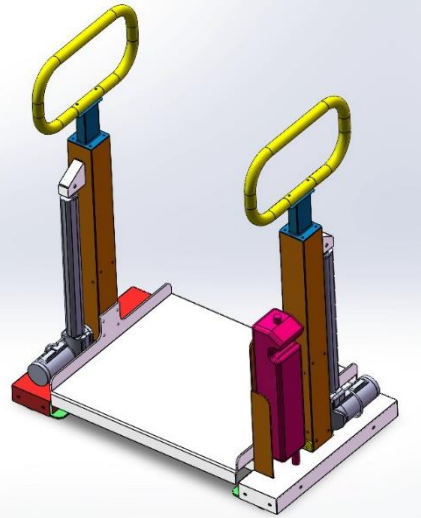
***With the SST, standing patient lifting can now be mechanically performed with no patient/provider contact required.***

***The compact SST is 34” (86cm) long by 20.5”(52cm) wide by 38” (97cm) tall. The SST is equipped with an emergency stop button and manual release override in the case of a system failure. It is simply maneuvered to wherever it’s use is required. The lift system is powered by an onboard control unit with an integrated 24v charger and rechargeable battery pack.***

## Standing-Step-Through (SST) Patient Lift

### Summary of Features

- Standing patient lifts from the floor up to 14”
- Integrated Charger/Battery Pack
- Integrated Emergency Stop Switch
- Manual Release override in case of failure
- Wired remote for convenient operation
- Small footprint with a tight turning radius
- Highly maneuverable
- Powder coated for durability
- Easy cleaning with common supplies
- No scheduled service or preventative maintenance required



Note: Engineering drawing, colors for component identification only.

### Physical Specifications

Safe Working Load .....	500 lbs. (227kg)
Total Weight .....	128 lbs. (58kg)
Overall Width .....	34” (86cm)
Overall Depth .....	20.5” (52cm)
Maximum Overall Height (raised).....	52” (132cm)
Minimum Overall Height (lowered).....	38” (97cm)
Maximum Platform Height .....	14” (36cm)
Platform Width .....	23.5” (60cm)
Platform Depth .....	20.5” (52cm)
Minimum Step Height .....	3” (8cm)

- Contact Free Lifts
- Provider Safety
- Patient Comfort,
- Reduced Patient Stress
- Dignity Preservation

### Electrical Specifications

Power Supply: 24vdc lead acid battery pack  
 Integrated Charger  
 Standard 2-prong 110 VAC Power Cord (USA)  
 Standard 2-prong 220 VAC Power Cord (International)  
 Operating Environment: >+5°C <+40°C (41° to 104°F)

## ***Provider/Patient Safety, Patient Ease, Comfort & Dignity***

*These products are covered by one or more patents, including U.S. Patent Nos. 9,808,388 B2 & 10,835,434*

5143 Tesla Road, Livermore CA 94550 USA

Contact@IndeeLift.com ● (925) 456-5438 (LIFT) ● 844-700-5438 (LIFT)